



SUPERSPORT BOAT MANUFACTURE.

STERK



sterk[sterk]

*adjective**

firm, sound, or powerful, and therefore not easily broken, destroyed, attacked, defeated, resisted, or affected by weariness, illness

*<https://dictionary.cambridge.org>

Supersport Boats are in our DNA.

Boat manufacturer Milan Sterk, designer Carlos Vidal, and naval architect Sasha Vlad turn visions into reality with **STERK**.

As a team with over 20 years of experience each in the maritime industry, the crew of boat-building enthusiasts, engineers and boat designers share the same STERK DNA - to simply build the best Supersport boats.

By choosing a production site in Germany, the STERK team pursues aspirations of minimal ecological impact, driven by the philosophy of sustainable progressive thinking. Short supply chains and high-quality standards are crucial for MS Marine GmbH. Together with great know-how, they form the basis for successful manufacturing of unique European Supersport boats.

STERK is the boat manufacturer for enthusiasts who love speed and comfort without compromise.

„The Sterk 31 RC surpasses the competition. Many shipyards have tried to build a dayboat like this.“ (Jan-Ole Puls, boote-magazin.de)

The **STERK 31** is among others tested by:



B1

#the_beauty_in_the_beast





Iconic Design

The **STERK 31** impresses with a Mediterranean inspired layout, state-of-the-art technology and perfect functionality. Of the three models on offer, STERK 31 RC is the first to be presented. A wet-bar version and full-cabin version will follow in 2023.

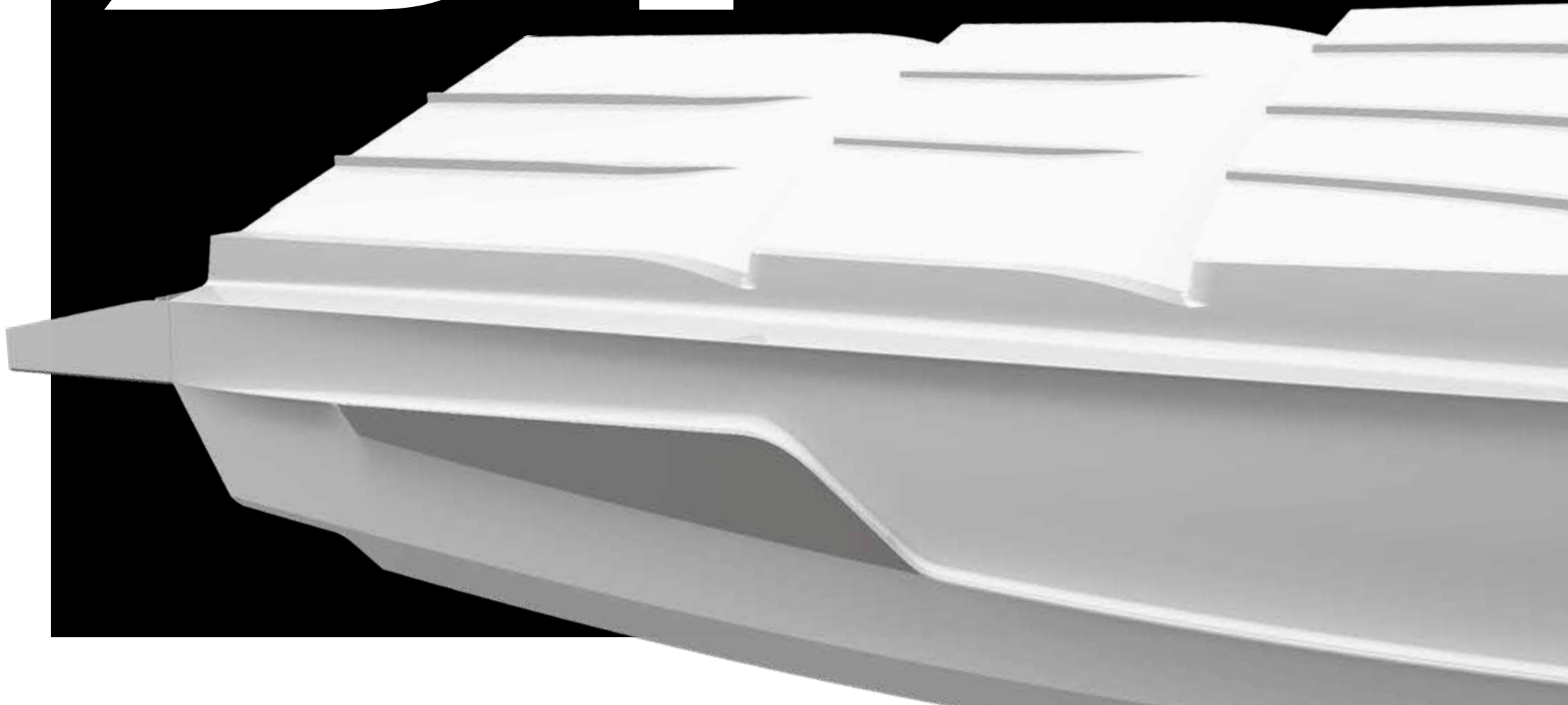
The boat shows greatness: a supersport hull form, a focused driving cockpit, a large 530 l (140 US.Gal) fuel tank, two generous sunbeds and an extra-large t-top are just a few highlights of the numerous unique features to be enjoyed. Fine details like our **seamless** hull-deck joining method emphasise **STERK** exclusivity and luxury engineering.

With up to **600 hp**, the drive-by-wire interface ensures effortless, precise transmission and control of the powerful, sporty performance.

Manufactured in Germany.

B1

Radical



Shape of Speed.



Fine Tech.

The Supersport hull shape has been designed for fast running and agile response. It features a twin stepped deep V layout with strategically placed spray rails to enhance lift and reduce spray. Hundreds of hours by CFD testing resulted in exhilarating performance while maintaining a safe, predictable handling.

A novel feature unique to **STERK** are hooked rails on the aft planing surface. Combined with our negative chines, they provide great bite and less heel in fast turns and prevent spinout while evoking a great feeling of confidence synonymous with the **STERK** name.

Extremely stable and lightweight composite materials are handcrafted by our specialists in a completely new manufacturing facility. The **seamless** hull-deck joining method emphasise exclusivity and luxury engineering.

Cleanliness, high precision and meticulous quality controls ensure, that every **STERK 31** is a unique and durable masterpiece made in Germany.



FACTS & EQUIPMENT

CECat.B = 6 Pax
CECat.C = 9 Pax
Fuel tank = 347/530 l (92/140 US.Gal)
Length incl. Motor = 9,73 m (32 ft)
Total length = 9,28 m (30,4 ft)
Width = 2,99 m (9,8 ft)
Weight w/o engines = 2620 kg (5776 lbs)

Draft incl. engine = 0,84 m (2,8 ft)
Air draft incl. t-top = 2,4 m (7,9 ft)
Air draft excl. t-top = 1,87 m (6,2 ft)
Max. load = 4250 kg (9370 lbs)
v/Cruise = 30 knots (34 mph)
v/Max w/o t-top= ±60 knots (69 mph)
Power max. = 2 x 221 kW (2 x 300 hp)

Fiberglass color white
EVA soft teak deck
CE certified 347 l fuel tank ready installed according CE
4 pcs stainless steel cleats 180 mm (bow, rear)
Railing stainless steel
Bow storage
Bow U-seating cushions made of Silvertex, champagne
Ergonomic driver and passenger seat rotatable with standing function made of Silvertex, champagne
Rear sofa with grab handles made of Silvertex, champagne **(only RC Version)**
Aft sun lounger made of Silvertex, champagne **(only RC Version)**
WetBar with 90l fridge, sink and stove **(only WB Version)**
Leaning post for 3 passangers **(only WB Version)**
Lounge seating incl. table convertable into a big sunbed **(only WB Version)**
Big storage with front door in steering console
Q double 10 inch chartplotter with 4G modem, NMEA, Q App
Main switch panel
Main wiring harness
El. Switch panel
Battery harness
3 pcs. fuse box
7 cup holders
Teak lattice floor in bathroom
Bilge pump system consisting of 3 el. Pumps
1 manual bilge pump in fuel tank compartment
Drain system
Folding st. steel bathing ladder with two handles for easy exit
Horn
Windscreen made of high-quality Plexiglass with frame and coaming
2 armrests in the cockpit for driver and passenger
Leather steering wheel
Declaration of conformity





TUNING & OPTIONAL EQUIPMENT

2 additional stainless steel cleats midships
Rear bimini top with CARBIEPOLES®
Bow bimini top with CARBIEPOLES®
Side biminis parts for bow and rear
WC el. incl. black water system with 60l waste water tank
Fresh water system with rear shower and 130l fresh water tank
Hifi package with 2 loudspeakers
Navigation lights CE & USCG certified
Illuminated compass
Bow table with foot converting into a big bow sunbed
Fridge 52l (max. 2 pieces) with compressor under sofa (**only RC Version**)
Bathroom cabin featuring a vanity unit with multiple mirrors, a hand basin and pull-out shower, adjustable LED ceiling lights, convenient storage pockets and automatic shower pump
Rear cabin furnished as a bedroom with mattress, LED lighting, 2 LED reading lights and interior paneling (**only RC Version**)
Surcharge for heated / cooled cup holders (max. 3 pc. possible)
Top stripe wrapping
Full side wrapping
T-TOP wrapping stripe
T-TOP full wrapping
Surcharge for PlasDECK flooring instead of EVA soft teak
Inductive phone charger 12V
4D sound system. Surcharge for additional 2 loudspeakers, amplifier and subwoofer (Hifi package mandatory)
T-TOP made of GRP with connection to the wiring harness and LED lighting
Shore power connection with charger, connection to wiring harness
Surcharge for 530l EPA and CE certified custom made aluminum fuel tank (made in USA)
Alternative cushion colour SILVERTEX
Stainless steel roll bar for waterski and wakeboard
Special painting of the dashboard (upper part)
Special wrapping of dashboard (lower part)
Electric anchor winch with custom build bow roller, 10kg anchor with 15m ss. chain, ULTRA Flip swivel & hook, dashboard switch and rem. control

All data can differ +/-10%. Equipment is changeable without prior notice and does not represent any part of a contract concluded.
Photos may show optional equipment.

The Captain`s Choice.

The base of the STERK 31 offers the future captain a variety of options to configure their boat according to their individual requirements.

For explorers and adventurers there is the REAR CABIN version with a well appointed 2 berth sleeping cabin and an additional sun deck for relaxing.

The WET BAR version caters to entertainers and is equipped with kitchen, bar and a super stylish lounge.

With many other options such as a t-top, various bimini configurations, wake-surf-ski tower and various packages from Silver to Platinum, the STERK 31 can be adapted to suit individual needs from sporty to comfortable.



BIMINI

Light & easy - ready for Adventure.





WET BAR
Cooking Lounge for Connoisseurs.



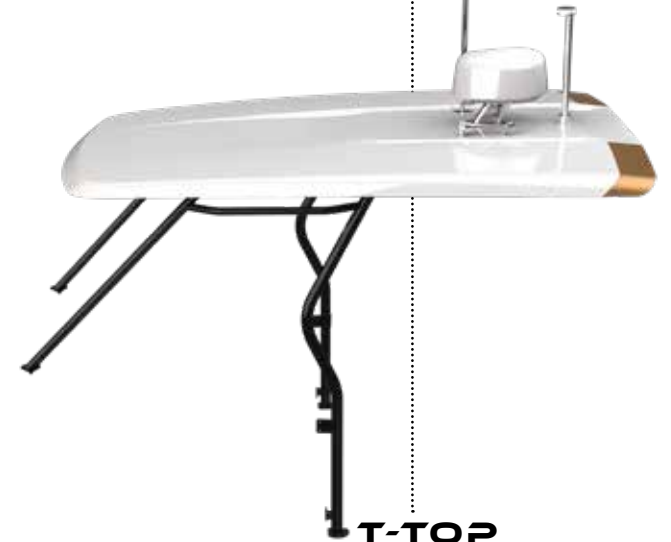
REAR CABIN
Cosy Room for Explorers.



WAKE TOWER
Made for Water Sports.



MOTOR
Up to 600 HP



T-TOP
Technical Weather Shield.

31RC

Rear Cabin Sun Deck for Explorers.

For overnight trips, the RC version comes with a large sunbed and a cosy cabin with accommodation for 2 people.

A comfortable, private bathroom and large aft platform offer highest quality comfort during your nights on board, allowing you to just forget, relax and enjoy.

Up to 2 x 52 l fridges (or 1 x 52 l fridge and a 1 x 52 l freezer) and two possible dinettes provide great flexibility while spending several days on water.

SILVERTEX CABIN CUSHIONS.

**REAR CABIN (FOR 2)
UNDER REAR SUNBED.**





31WB

Wet Bar Lounge for Connoisseurs.



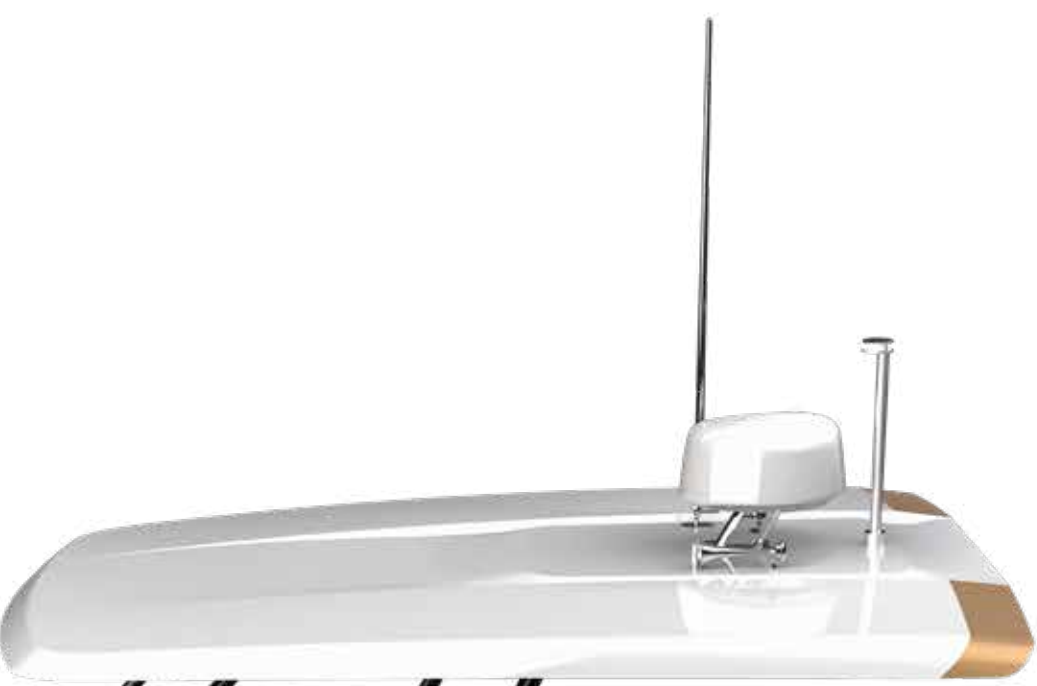
The WB version presents itself with a well-designed bar, dining lounge, and kitchen for wonderful moments with friends or family.

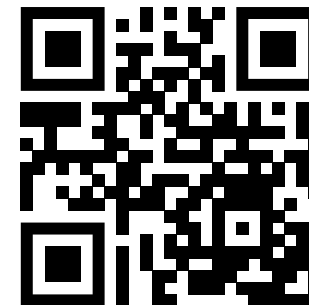
Comfortable bathroom, large aft platform, extra spacious sitting area, wet bar with refrigerator, and kitchenette will ensure maximum comfort during your stay on board.

**CONVERTIBLE REAR
LOUNGE AND SUNBED
MADE OF SILVERTEX CUSHIONS.**

FRIDGE. STOVE. SINK. BAR.







STERK

Dealer:

Meet us.



MS Marine GmbH
Gewerbegebiet Ost 31
92353 Postbauer-Heng
Deutschland
Fon: +49/(0)9188/3079896
Fax: +49/(0)9188/3079897
Email: post@sterkyachts.com
Web: sterkyachts.com